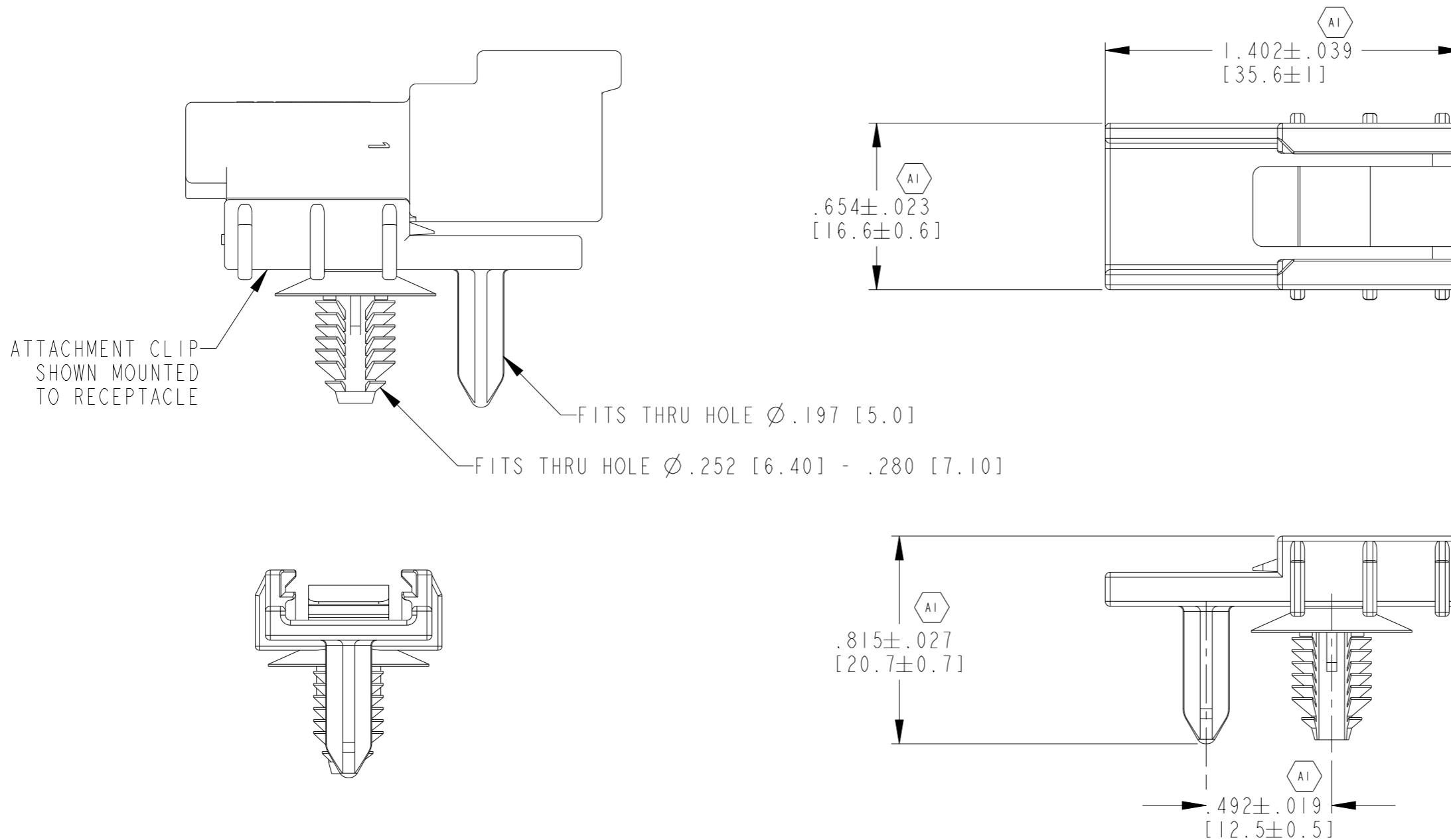


REVISIONS

| P | LTR | DESCRIPTION | DATE | DWN | APVD |
|---|-----|-----------------------------|-----------|-----|------|
| | NC | NEW RELEASE PER E.O. P19587 | 20JUL2007 | RM | RDR |
| | A | SEE PCN: E-20-015876 | 20NOV2020 | VNB | GL |
| | AI | SEE PCN: E-21-003111 | 11MAR2021 | PN | GL |



3. RECOMMENDED PANEL THICKNESS: .028 [0.70] - .201 [5.10].

2. THIS CLIP MATES WITH DT04-2P/3P/4P/6P/12P AND DTM04-2P THRU 12P.

1. COLOR: BLACK

NOTES:

| | | | | | | | | | | | | | | | | | | |
|--|-------|------------------------------------|---|-------------|--------------|-----------------|-----------|-------|-------|-------|-------|--------|-------|-------------------|------------|--------------------|-------------------------------|--------------------|
| THIS DRAWING IS A CONTROLLED DOCUMENT. | | DWN R. MESSENGER 13 JUL 2007 | | | | | | | | | | | | | | | | |
| DIMENSIONS: IN [mm] | | CHK J. APOSTOL 20 JUL 2007 | | | | | | | | | | | | | | | | |
| TOLERANCES UNLESS OTHERWISE SPECIFIED: \pm .025 [0.63] | | APVD S. BEARD 20 JUL 2007 | NAME ATTACHMENT CLIP FOR RECEPTACLES FIR TREE STUD MOUNT DT AND DTM SERIES | | | | | | | | | | | | | | | |
| <table border="1"> <tr><td>0 PLC</td><td>\pm</td></tr> <tr><td>1 PLC</td><td>\pm</td></tr> <tr><td>2 PLC</td><td>\pm</td></tr> <tr><td>3 PLC</td><td>\pm</td></tr> <tr><td>4 PLC</td><td>\pm</td></tr> <tr><td>ANGLES</td><td>\pm</td></tr> </table> | | 0 PLC | \pm | 1 PLC | \pm | 2 PLC | \pm | 3 PLC | \pm | 4 PLC | \pm | ANGLES | \pm | PRODUCT SPEC - | SIZE A3 | CAGE CODE 00779 | DRAWING NO C-1011-310-0205 | RESTRICTED TO - |
| 0 PLC | \pm | | | | | | | | | | | | | | | | | |
| 1 PLC | \pm | | | | | | | | | | | | | | | | | |
| 2 PLC | \pm | | | | | | | | | | | | | | | | | |
| 3 PLC | \pm | | | | | | | | | | | | | | | | | |
| 4 PLC | \pm | | | | | | | | | | | | | | | | | |
| ANGLES | \pm | | | | | | | | | | | | | | | | | |
| MATERIAL PA66 | | FINISH - | APPLICATION SPEC - | WEIGHT - | SCALE 2:1 | SHEET 1 OF 1 | REV A1 | | | | | | | | | | | |
| CUSTOMER DRAWING | | | | | | | | | | | | | | | | | | |